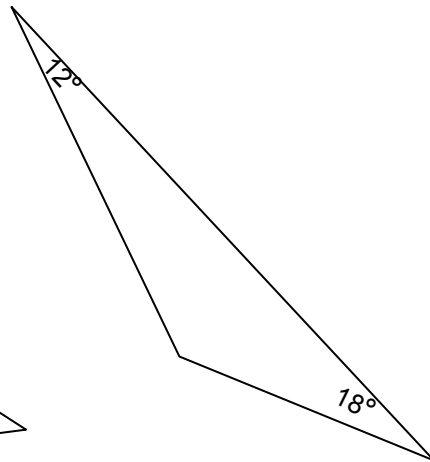
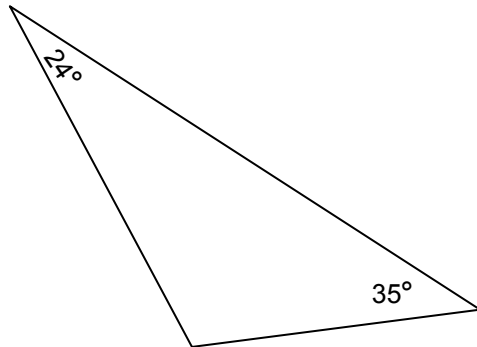
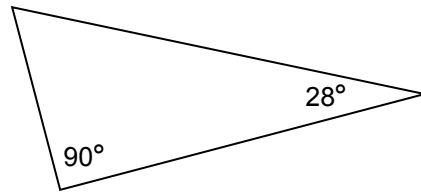
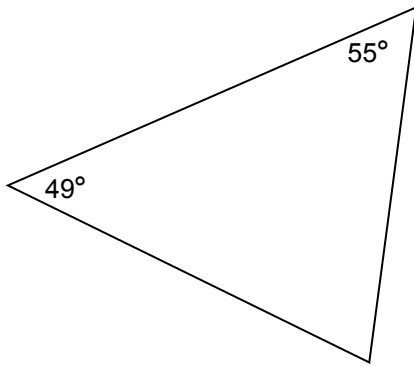
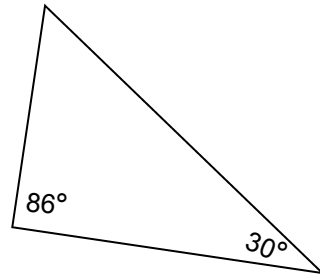
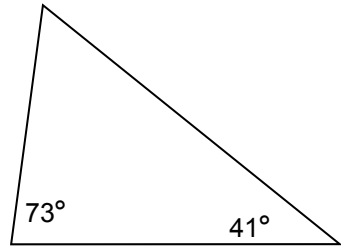


Calculate the angles in these triangles



Calculate the angles in these triangles

